

4

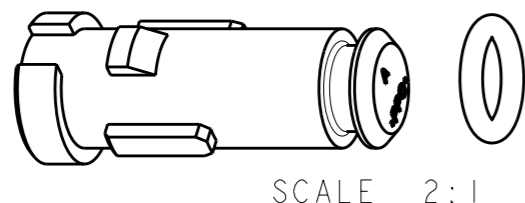
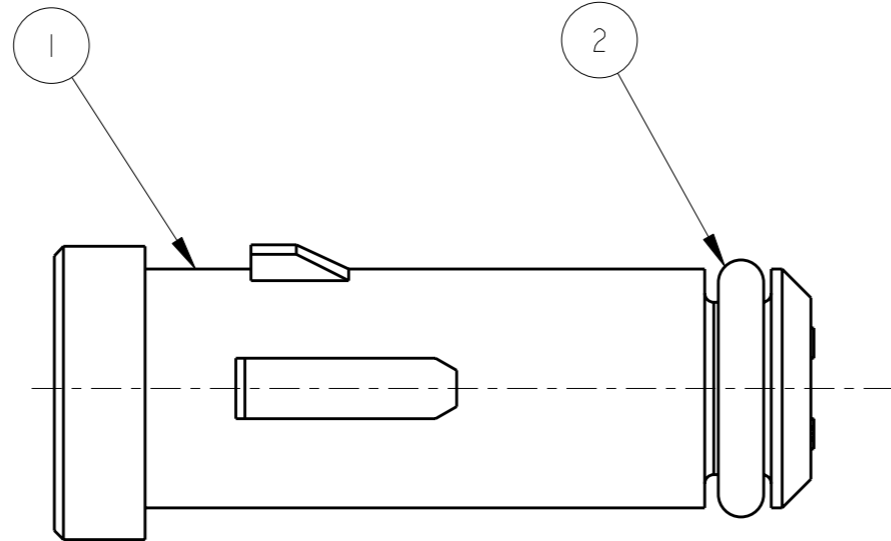
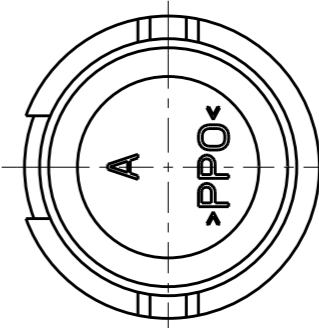
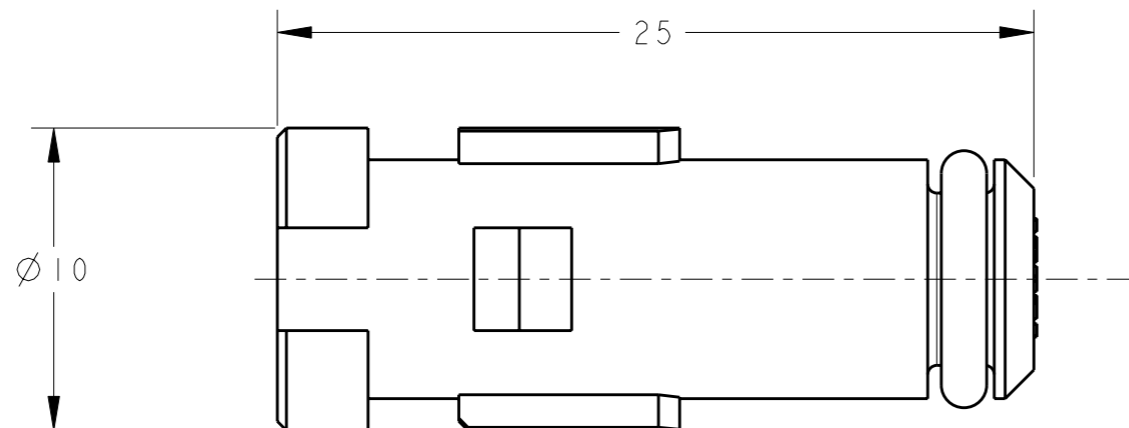
3

2

1

THIS DRAWING IS UNPUBLISHED. RELEASED FOR PUBLICATION 20  
 © COPYRIGHT 20 BY TYCO ELECTRONICS CORPORATION. ALL RIGHTS RESERVED.

LOC	DIST	REVISIONS			
P	LTR	DESCRIPTION	DATE	DWN	APVD
ES	00	A2	ECR-09-019931	05SEP2009	OW JZ



QTY	DESCRIPTION	MATERIAL	ITEM No.
1	O RING	SI RUBBER	2
1	END SOCKET	PPO	1
PART LIST			

<small>THIS DRAWING IS A CONTROLLED DOCUMENT FOR TYCO ELECTRONICS CORPORATION          IT IS SUBJECT TO CHANGE AND THE CONTROLLING ENGINEERING ORGANIZATION          SHOULD BE CONTACTED FOR THE LATEST REVISION.</small>		DWN 23APR2008 <b>OLIVER WANG</b> CHK 23APR2008 <b>DIGO CHEN</b> APVD 23APR2008 <b>JULIAN ZHOU</b>	Tyco Electronics Shanghai, China
DIMENSIONS: mm 	TOLERANCES UNLESS OTHERWISE SPECIFIED: 0 PLC ±0.2 1 PLC ±0.2 2 PLC ±0.2 3 PLC ±0.2 4 PLC ±0.2 ANGLES ±	PRODUCT SPEC - APPLICATION SPEC - WEIGHT -	NAME <b>END SOCKET ASSY</b> SIZE CAGE CODE DRAWING NO RESTRICTED TO <b>A300779 C-1971133</b> -
MATERIAL -	FINISH -	CUSTOMER DRAWING SCALE 4:1 SHEET 1 OF 1 REV A2	